

Temperaturgivare för ingångning, svetsat skyddsrör, form 8 för överfallsmutteranslutning

Användningsområde

För temperaturmätning i gaser och vätskor i rör och tankar. Anpassad enligt DIN standard 43772.

Armatyr

Monterad i en rak svetsat form 8 skyddsrör för ingångning. För tillgängliga material se beställningskod nedan.

Halsrör av syrafast stål / 1.4571 eller likvärdigt, Ø 12 mm.

Standard halsrörlängd HL = 165 mm.

Mätinsats

Bytbar mätinsats av syrafast stål D = Ø 6 mm. Insatslängd = L + HL + 39 mm.

För utförlig information om mätinsatsen se TR/TC 100.

Godkännande

Givaren finns med ATEX-godkännande men med vissa begränsningar i beställningalternativen. För mer information se hemsidan.

Processtemperatur

TRA -196...+600 °C

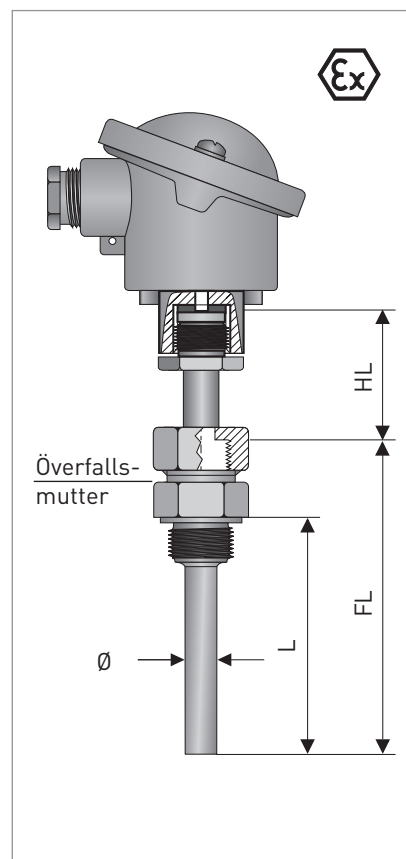
TCA -40...+600 °C*

Kapslingsklass

Se avsnitt Kopplingshuvuden på sida 120.

Svarstider skyddssockor

Typ	Vatten 0.4 m/s	
	t 0.5	t 0.9
TRA-TS35, Ø 9	17 s	52 s
TRA-TS35, Ø 11	21 s	58 s
TRA-TS35, Ø 12	22 s	66 s
TCA-TS35, Ø 9	14 s	42 s
TCA-TS35, Ø 11	17 s	46 s
TCA-TS35, Ø 12	18 s	54 s



Dimensioner i mm

För mer detaljerade dimensioner se kapitel "Dimensioner för insticksgivare" på sida 149.

Beställningskod för TRA-TS35 med standardinställningar

V	T	S	2	4	6	0	1	3	1	1	4	1	0	2	6	D	1	0	0	0	0	0	0	0	0	0	1	0	
							1				6	7	8			12													

Detta är ett urval av de valmöjligheter som finns för denna givare. För komplett beställningskod se sidan 33.

1. TYP

6 Motståndsgivare	TRA-TS35
F Termoelement	TCA-TS35

6. MATERIAL SKYDDSFICKA

1 1.4571 / 316Ti	upp till 600 °C
3 1.4404 / 316L	upp till 600 °C

7. DIAMETER SKYDDSFICKA (Ø)

1 9 mm
2 10 mm
3 11 mm
4 12 mm

8. PROCESSANSLUTNING

1 G 1/2 A
2 G 3/4 A
3 G 1 A
5 1/2" NPT
6 3/4" NPT
7 1" NPT

12. HALSRÖRSANSLUTNING

D Överfallsmutter G 1/2
E Överfallsmutter G 3/4

* Temperaturspannet kan utökas med annat material i skyddssockan.

1. Type		Without thermowell		Screw-in thermowell		Flange thermowell		
5	TRA-S 34	"Screw-in, without thermowell"		3	TRA-TS 32	Form 5		
E	TCA-S 34	"Screw-in, without thermowell"		6	TRA-TS 35	Union nut, Form 8		
				7	TRA-TS 36	Barstock, Form 6, 7		
				8	TRA-TS 37	Barstock, Union nut, Form 9		
				C	TCA-TS 32	Form 5		
				F	TCA-TS 35	Union nut, Form 8		
				G	TCA-TS36	Barstock, Form 6,7		
				H	TCA-TS37	Barstock, Union nut, Form 9		
						2	TRA-TF 31	"Flange", Form 4F
						4	TRA-TF 33	"Flange"
						B	TCA-TF 31	"Flange", Form 4F
						D	TCA-TF 33	"Flange"
								Weld-in thermowell
						1	TRA-T 30	"Weld-in", Form 4
						A	TCA-T 30	"Weld-in", Form 4
2. Certificate		0 without		1 ATEX Ex ia		4 IECEx Ex ia		
3. Connection heads		Aluminium M20x1,5		Stainless steel M20x1,5		Polyamide M20x1,5		
1	BA	screw cover, IP65		8	BVA	screw cover, IP65		
2	BUZ-S	hinged cover, snap, IP65		C	SXD	screw cover, IP68 [Ex]		
3	BUZ-T	hinged cover, screw, IP65 [Ex]		M	BHY	screw cover, M16x1,5, IP67		
4	BGK	screw cover, IP65		R	SXD-W*	screw cover+Indicator, IP68 [Ex]		
5	BUZ-H	hinged cover, IP65 [Ex]		<i>* indicator 4-digit loop powered LCD with floating zero</i>				
6	BUZ-HW*	with indicator, IP65						
A	AXD	screw cover, IP68 [Ex]						
P	AXD-W*	screw cover+Indicator, IP68 [Ex]						
4. Measuring insert = sensor / wiring		0 without		Measuring insert = sensor / wiring		8 1x Pt100 3-wire + Smart Sense		
2	1x Pt100	3-wire [Ex]		A	1x Thermocouple	Type J (Fe-CuNi) [Ex]		
3	1x Pt100	4-wire [Ex]		B	1x Thermocouple	Type K (NiCr-Ni) [Ex]		
4	2x Pt100	3-wire (Cl.A, WW) [Ex]		D	2x Thermocouple	Type J (Fe-CuNi) [Ex]		
5	2x Pt100	4-wire (Cl.A, WW) [Ex]		E	2x Thermocouple	Type K (NiCr-Ni) [Ex]		
5. Measuring insert / tolerance class		0 without						
1	Cl. B	Mi, TF	thinfilm			(tolerance class -50 ... +500°C)	[Ex]	
2	Cl. A	Mi, TF	thinfilm			(tolerance class -30 ... +300°C)	[Ex]	
3	Cl. A, vibration-proof	Mi, TF	thinfilm			(tolerance class -20 ... +200°C)	[Ex]	
4	Cl. A	Mi, WW	Wire wounded			(tolerance class -100 ... +450°C)	[Ex]	
6	Cl. B	Mi, WW	Wire wounded			(tolerance class -200 ... +600°C)	[Ex]	
5	Cl. AA	Mi, WW	Wire wounded			(tolerance class -50 ... +250°C)	[Ex]	
7	1/10 DIN B	Mi, WW	Wire wounded			(tolerance class at 0°C)	[Ex]	
A	Cl.1	Mi,	Thermocouple				[Ex]	
6. Thermowell material		0 without		type		(34)		
1	1.4571 / 316Ti	up to 600°C				(30-33/35-37)		
3	1.4404 / 316 L	up to 600°C				(30-33/35-37)		
H	2.4602 / Hastelloy C22					(32) only for Ø12 mm and G1/2 process connection		
7. Thermowell diameter		0 without				(34)		
1	9 mm	1.4571	(32/33/35)	A	Form 4 (D1), 24 mm, L=140/SL=65 mm	(30)		
2	10 mm	1.4404	(32/33/35)	B	Form 4 (D2), 24 mm, L=200/SL=25mm	(30)		
3	11 mm	1.4571	(32/33/35)	C	Form 4 (D4), 24 mm, L=200/SL=65mm	(30/31)		
4	12 mm	1.4571/1.4404	(32/33/35)	D	Form 4 (D5), 24 mm, L=260/SL=125mm	(30/31)		
7	17x5 mm, Form 7 and 9					(38/37)		
8. Process connection E(N)		0 without / Thread		(30/34)		B Flange DN25 DIN 1092-1 (31/33)		
1	G 1/2 A			(32/35/36/37)		C Flange DN40 DIN 1092-1 (31/33)		
2	G 3/4 A			(32/35/36/37)		D Flange DN50 DIN 1092-1 (31/33)		
3	G 1 A			(32/35/36/37)		H Flange ASME 1" (31/33)		
5	1/2" NPT			(32/35/36/37)		L Flange ASME 1 1/2" (31/33)		
6	3/4" NPT			(32/35/36/37)		X Weld-in fitting Ø 48 x 50 (30)		
7	1" NPT			(32/35/36/37)				
9. Pressure rating		0 without / Thread				A 150 lbs RF		
1	PN 40 Form B1					B 300 lbs RF		
10. Ins. length/diam.: type		0 without		F 150 mm (32...35)		8 260 mm, (33-35,37)		
1	80 mm (32,3436)	5 170 mm (33,35,37)		A 300 mm, (34)		E 410 mm (33,35,37)		
2	100 mm (34)	6 200 mm (34)		B 350 mm, (34)		H 450 mm (33,35,37)		
3	110 mm (33,35,37)	7 230 mm (32,3436)		C 380 mm, (32,34,36)		P Form 4, (D1...D5)		
4	140 mm (32,34,36)	G 250 mm (33,35,37)		D 400 mm, (34)		Z Custom. length (55...6000)		
11. Extension tube length HL		1 80 mm		6 165 mm [Std-length]		D 140		
2	90 mm	A 70 mm		E 150		H 180		
4	110 mm	B 100 mm		F 160		K 190		
5	145 mm	C 120 mm		G 170		L 200		
12. Extension tube connection, P		1 M18x1,5 (30-34, 36)		D union nut G 1/2 (34,35,37)				
3	G 1/2 (30-34, 36)	E union nut G 3/4 (34,35, 37)						
4	G 3/4 (30-34, 36)							
13. Type of connection / head mounted transmitter		0 with flying leads for transmitter mounting						
1	Standard version with ceramic terminal block							
L	with head mounted transmitter	// IPAQ C130 Basic, RTD/TC						
4	with head mounted transmitter	// IPAQ C202 Basic, RTD [Ex]						
C	with head mounted transmitter	// IPAQ C330 Universal [Ex]						
E	with head mounted transmitter	// IPAQ C520 Smart, HART, SIL2 [Ex]						
M	with head mounted transmitter	// IPAQ C530 Smart, HART, SIL2 [Ex]						

Vissa kombinationer är inte möjliga. Vänligen kontakta KROHNE Inor för ytterligare information.

VTS2		4																							
14. Type of connection / rail mounted transmitter																									
0 without																									
L with rail mounted transmitter // APAQ R130 Basic, RTD/TC																									
A with rail mounted transmitter // IPAQ-4L Universal, 90 - 250 VAC																									
B with rail mounted transmitter // IPAQ-4L Universal, 20 - 30 VDC																									
C with rail mounted transmitter // IPAQ R330 Universal [Ex]																									
H with rail mounted transmitter // IPAQ R520 Smart, HART SIL2 [Ex]																									
M with rail mounted transmitter // IPAQ R530 Smart HART [Ex]																									
15. Measuring range																									
0 without																									
1 customised*																									
2 -50 ... +50°C																									
3 -50 ... +100°C																									
4 -50 ... +150°C																									
5 0 ... +50°C																									
6 0...+100°C																									
7 0...+150°C																									
8 0...+200°C																									
A 0...+250°C																									
B 0...+300°C																									
C 0...+350°C																									
D 0... +400°C																									
E 0... +450°C																									
F 0... +500°C																									
G 0... +600°C																									
H 0... +800°C																									
K 0...+1000°C																									
16. Calibration report																									
0* without																									
Sensor calibration																									
1 1-point (single) room temperature																									
P 2-point (single) 0°, 100°C																									
R 2-point (double) 0°, 100°C																									
2 2-point (single) 0%, 100% of range																									
3 2-point (double) 0%, 100% of range																									
S 3-point (single) 0°, 50°, 100°C																									
T 3-point (double) 0°, 50°, 100°C																									
4 3-point (single) 0%, 50%, 100% of range																									
5 3-point (double) 0%, 50%, 100% of range																									
6 customised (single)																									
7 customised (double)																									
Sensor + Transmitter calibration																									
A 2-point (single) 0%, 100% of range																									
B 3-point (single) 0%, 50%, 100% of range																									
C 5-point (single) 0%, 25%, ..., 100% of range																									
Sensor + Transmitter calibration with error correction																									
E 2-point (single) 0%, 100% of range																									
F 3-point (single) 0%, 50%, 100% of range																									
G 5-point (single) 0%, 25%, ..., 100% of range																									
H customised																									
17. Test certificate																									
0 without																									
1 Declaration of compliance with order, 2.1 according to EN 10204																									
18. Pressure test on wetted parts																									
0 without																									
1 Pressure test with test report 2.2 EN 10204																									
2 Pressure test with inspection certificate 3.1 EN 10204																									
19. Material certification on wetted parts																									
0 without																									
1 Material certificate 3.1 according to EN 10204																									
2 PMI test metall. pressurized wetted parts, certificate 3.1																									
4 Material & PMI test certificate 3.1 according to EN 10204																									
20. Marking																									
0 without																									
1 Stainless steel tag plate (40 x 20 mm)																									
2 Stainless steel tag plate (120 x 46 mm)																									
6 PVF- tag plate (45 x 15 mm)																									
21. Operating instructions																									
0 without																									
1 German																									
3 English																									
4 French																									
5 Spanish																									
G German/English																									
23. Version																									
0 without																									
1 SIL2, EU- Manufacturer's declaration [IPAQ 520]																									
Order code																									

Accessories

Ordercode	Description	L (mm)
68SVS10505	Weld-in sleeve Ø 40 mm, Thread G1/2, 1.4404	50
68SVS11005	Weld-in sleeve Ø 40 mm, Thread G1/2, 1.4404	100

Ordercode	Description	D1	D2	D3	material
68SVS20001	Weldin sleeve Form 4	24	48	30	1.4571 / AISI 316Ti
68SVS20005	Weldin sleeve Form 4	24	48	30	1.4404 / AISI 316L
68SVS20006	Weldin sleeve Form 4	24	48	30	1.4301 / AISI 304
68SVS20003	Weldin sleeve Form 4	24	48	30	1.7335
68SVS20007	Weldin sleeve Form 4	24	48	30	1.4462 / Duplex
68SVS20002	Weldin sleeve Form 4	24	48	30	1.0460 / C22.8
68SVS20004	Weldin sleeve Form 4	24	48	30	1.5415 / 16Mo3

Vissa kombinationer är inte möjliga. Vänligen kontakta KROHNE Inor för ytterligare information.